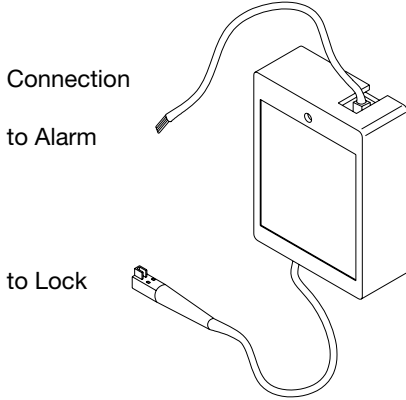
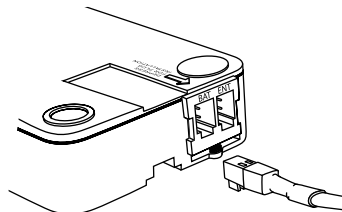


INSTRUCTIONS

2789 SMALL ALARM/BATTERY BOX

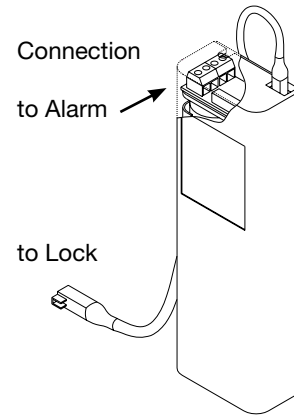


Can be configured as NC or NO by changing the internal jumper.



Connect to Lock through BAT Port.

4002 LARGE ALARM/BATTERY BOX



Can be configured as NC or NO by changing the internal jumper.

2789 ALARM CABLE CONNECTIONS

4 Wires 26 AWG

Alarm Relay Connections

Red and Black

Normally Open (NO) or Normally Closed (NC)

Relay Contacts: Settable

50V DC @ 250 mA Max Load

Switches 1 sec.

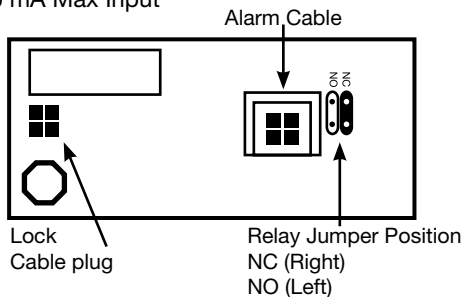
Remote Input to Disable or Override Lock

Yellow: Positive Input (+)

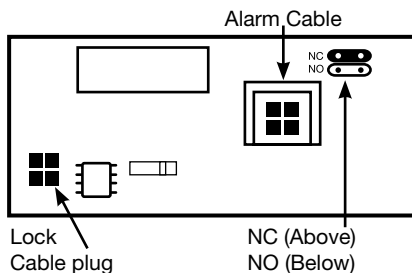
Green: Negative Input (-)

5-12V DC @ 20 mA Max Input

Old Version



New Version



4002 ALARM CONNECTIONS

Alarm Relay Connections

Connect OUT to Alarm

Normally Open (NO) or Normally Closed (NC)

Relay Contacts: Settable

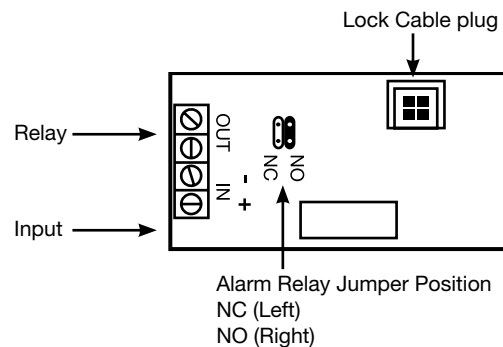
50V DC @ 250 mA Max Load

Switches 1 sec.

Remote Input to Disable or Override Lock

Connect IN to Remote Control

5-12V DC @ 20 mA Max Input



Kaba Mas LLC
749 W. Short Street, Lexington, KY 40508 USA
Phone: (859) 253-4744 FAX: (859) 255-2655
Technical Support: (800) 950-4744
www.kaba-mas.com